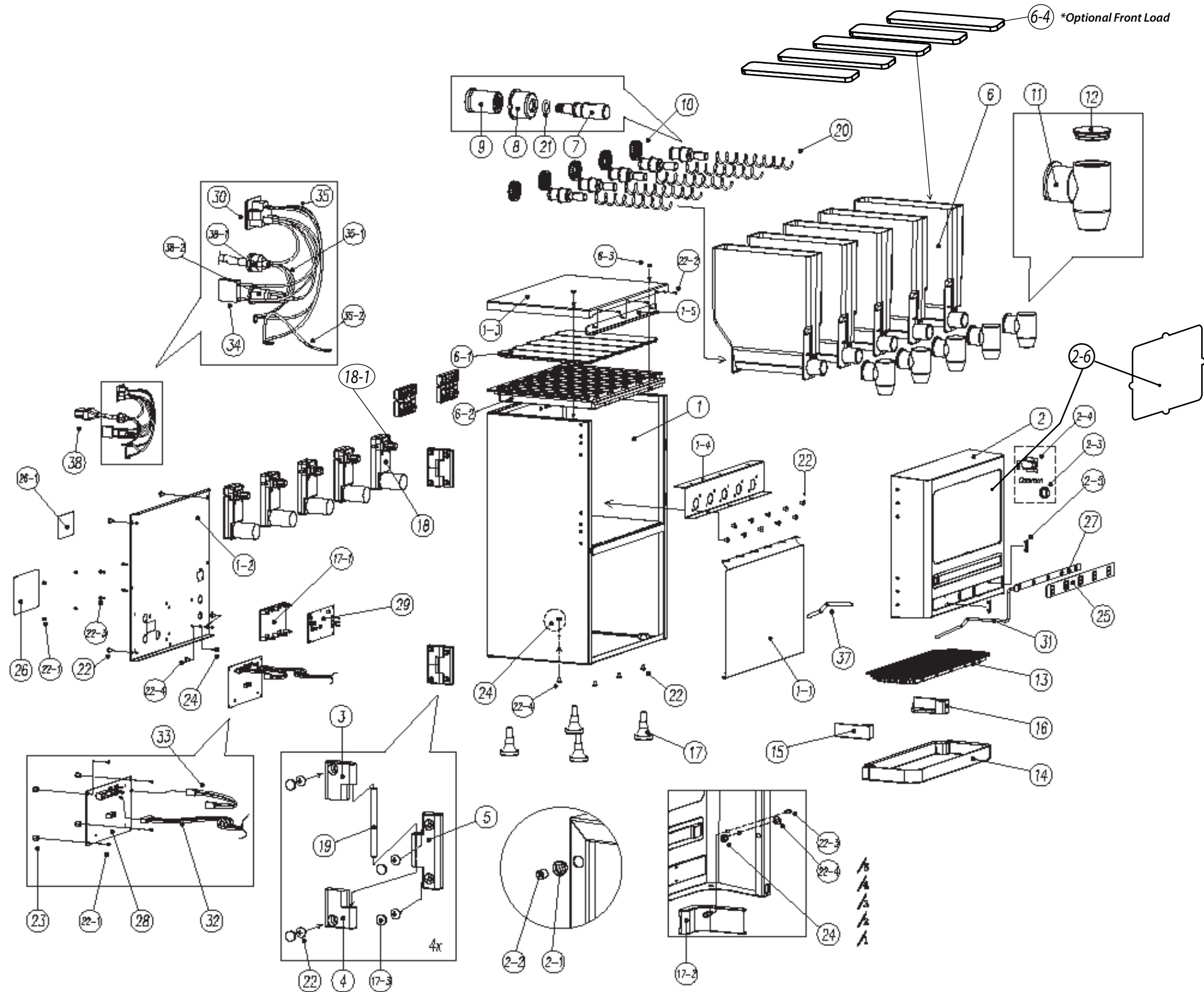


UV-PSPD-5-CTL-T-A/B



Item	Part Number	Description	QTY.
1	UV-023	Base Steel	1
1-1	UV-147	Front Panel	1
1-2	NA	Back Panel	1
1-3	NA	Top Lid	1
1-4	NA	Motor Panel (5HD)	1
1-5	NA	Top Lid Rib	1
2	NA	Steel Door	1
2-1	NA	Magnet Sleeve	2
2-2	UV-021	Magnet (26x6)	2
	UV-112	COMPLETE LOCK SET	
2-3	UV-112-B	Lock Part	1
2-4	UV-112-B	Lock Door	1
2-5	NA	Label Insert	2
2-6	UV-017	PLEXI GLASS FRONT	
	UV-112-C	KEY	
3		HINGE UPPER	4
4	UV-014	HINGE LOWER	4
5		HINGE DOOR	4
6	UV-007	Small Hopper	5
6-1	UV-036	Cover - Powder Diverter (Top Load)	5
	UV-35	Powder Diverter - Complete w/ Covers (Top Load)	
6-2	UV-037	Powder Diverter (Top Load)	1
6-3	NA	Lid Plug (Top Load)	2
6-4	UV-018	LID (Tall/Small)	
7	UV-027	Canister Drive	5
8	UV-149	Bearing Canister	5
9	UV-015	Canister Motor Drive	5
10	UV-111	CANISTER NUT	5
11	UV-016	NOZZEL	5
12	UV-016-B	NOZZEL CAP	5
	UV-011	DRIP TRAY COMPLETE	
13	UV-011-C	Drip Tray Grid	1
14	UV-011-B	Drip Tray	1
15	UV-011-D	LEFT LEG - TRAY	1
16	UV-011-D	RIGHT LEG - TRAY	1
17	UV-141	FOOT- ADJUSTABLE	4
17-1	NA	POWER ISOLATION PLATE	1
17-2	NA	Wire Cover	1
17-3	NA	Hole Plug	16
18	UV-001	MOTOR	5
18-1	UV-019	Gear Receiver	1
19	NA	AXIS 5x64	4
20	UV-22	Auger	5
21	UV-148	O-Ring	5
22	NA	SCREW M4*6	42
22-1	NA	SCREW M3*4	8
22-2	NA	SCREW M3*8	3
22-3	NA	SCREW O3*8	5
22-4	NA	SCREW M4*8	3
23	NA	M3*6 Cu Nut	4
24	NA	M4 Nut	3
25	UV-003	Touch Pad Label	1
26	NA	LED Label	1
26-1	NA	Machine Label	1
27	UV-003	5Key Button PCB - Touch Pad	1
28	UV-004	Main PCB	1
29	UV-005	Power Supply PCB	1
30	UV-010	Switch	1
31	UV-003	Touch Pad Cable	1
32	UV-002	Motor Wire	1
33	NA	24DC Input Power Cable	1
34	UV-012	Power Cable	1
35	NA	Earth Cable	1
35-1	NA	Fuse Wire	1
35-2	NA	Door Ground Wire	1
35-3	NA		
37	NA	Protection Tube (100mm)	1
38	UV-028	Plug (USA Standard)	1